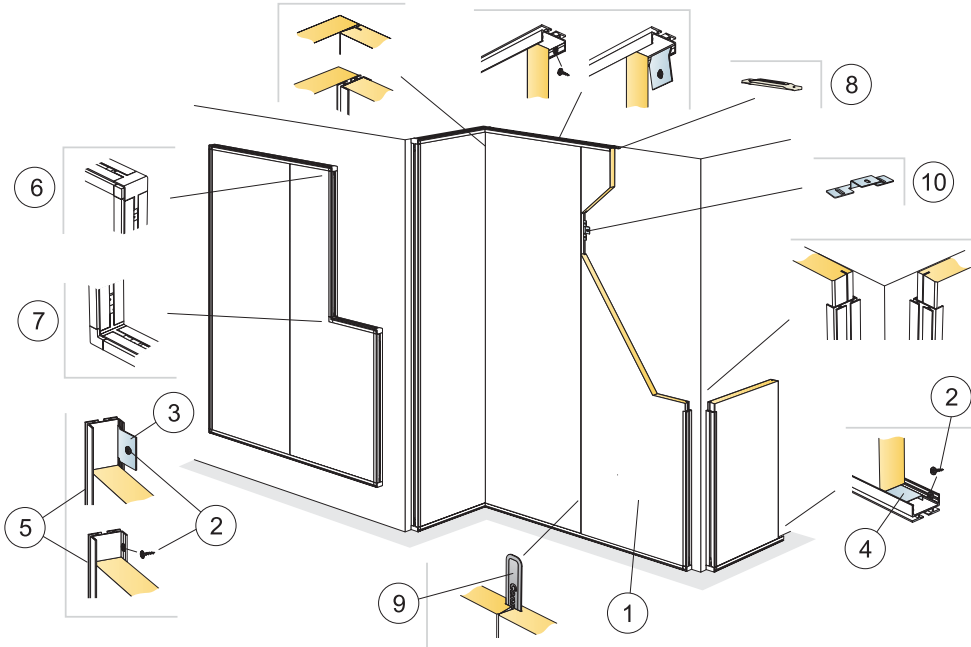


Ecophon Akusto Wall C

2700x600

M354



1. Ecophon Akusto Wall C

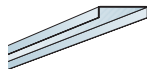
2. Connect Installation screw MVL



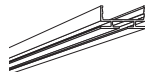
3. Alt. Connect Fixing bracket



4. Connect WP Space bar, L=2400



5. Connect WP Profile, L=2687



6. Connect WP External corner



7. Connect WP Internal corner



8. Connect WP profile splice



9. Connect Spline



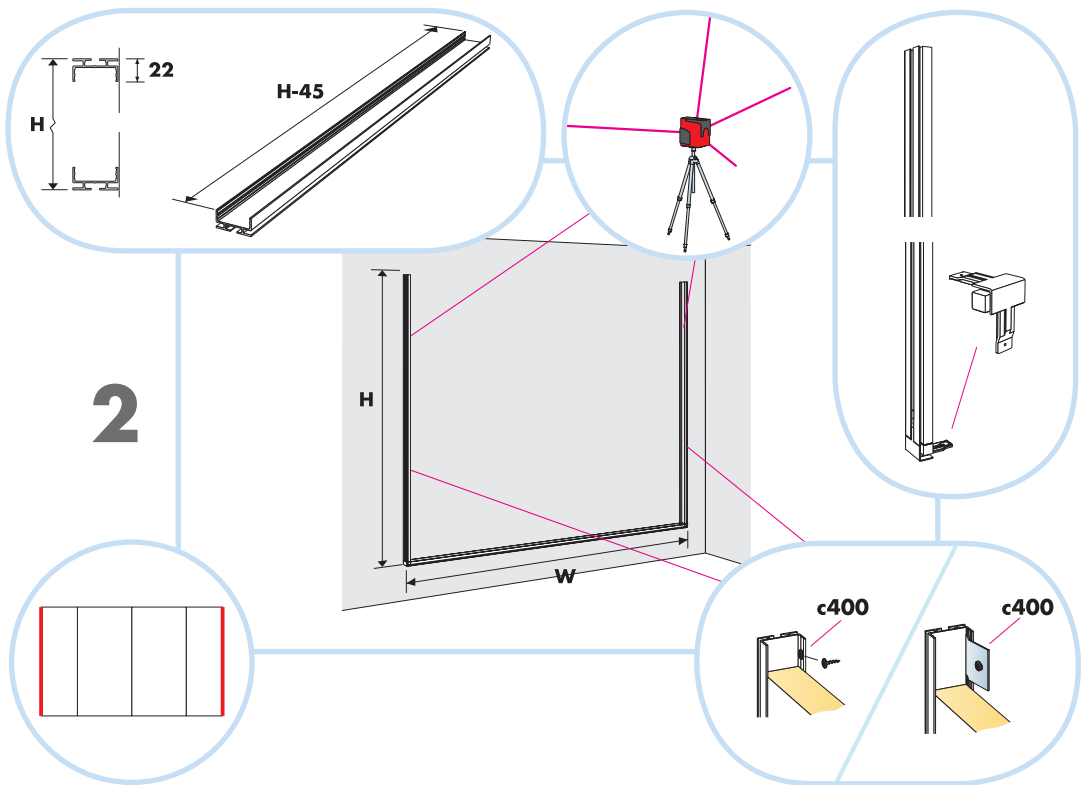
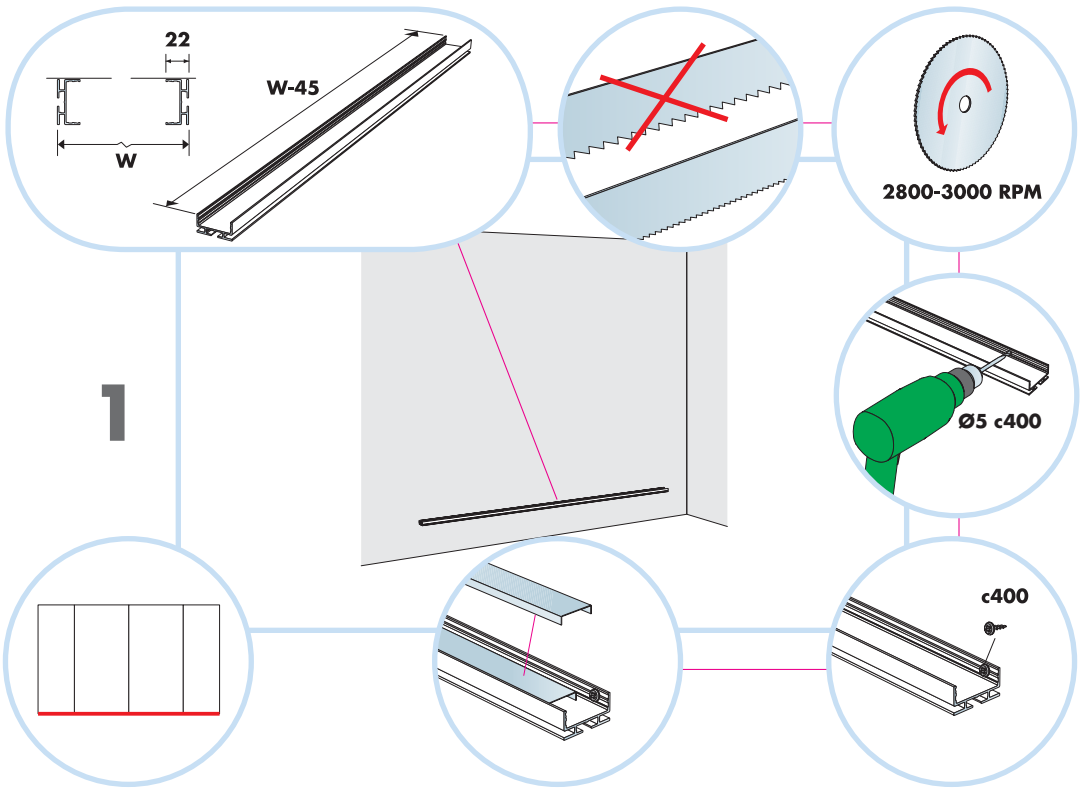
10. Connect Fixing plate

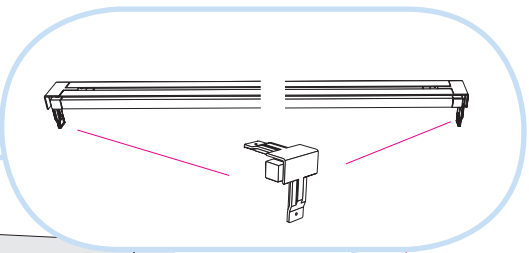
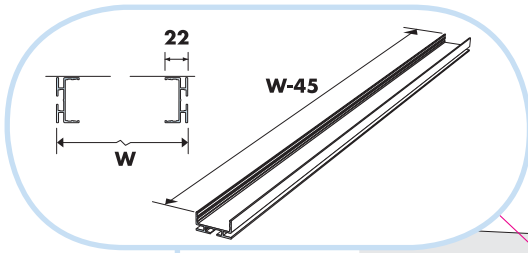


Ecophon[®]
SAINT-GOBAIN

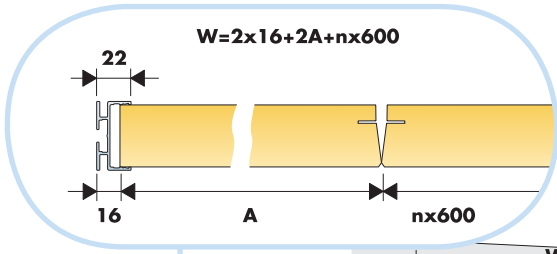
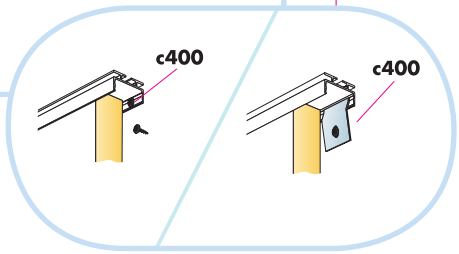
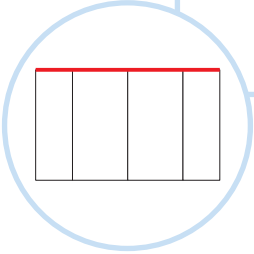
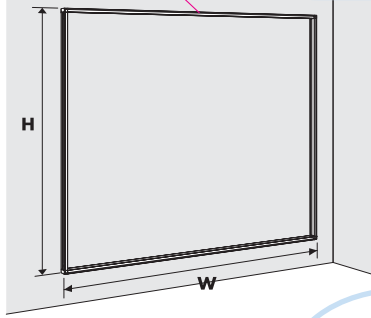
A SOUND EFFECT ON PEOPLE

www.ecophon.com

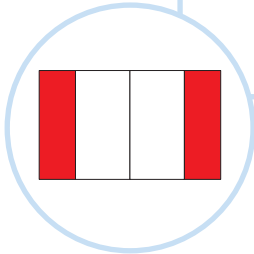
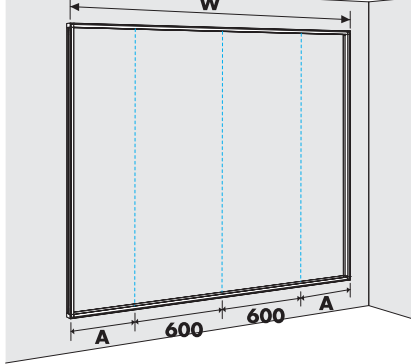


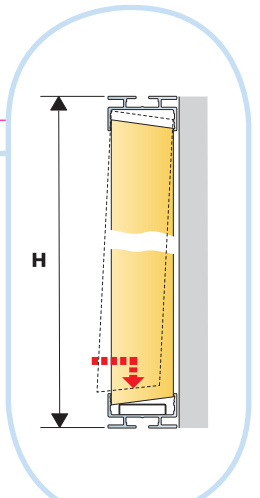
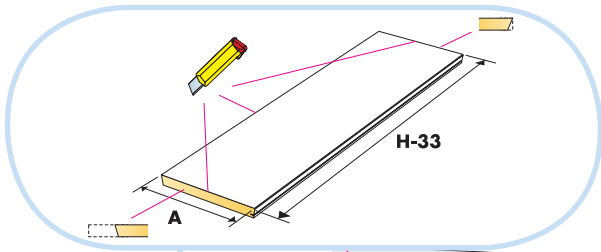


3

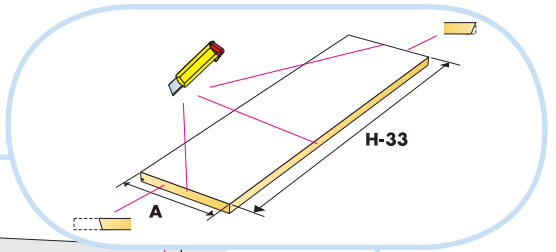
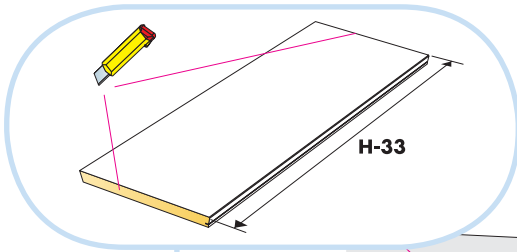
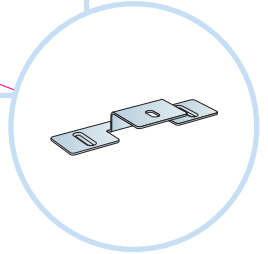
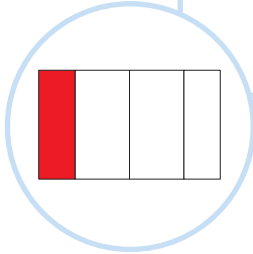
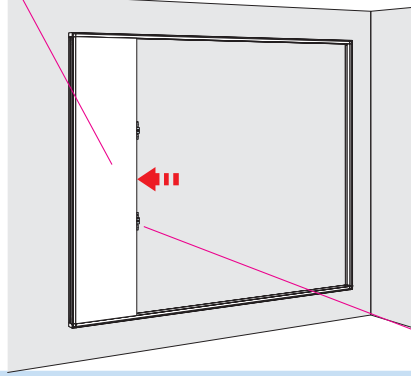


4

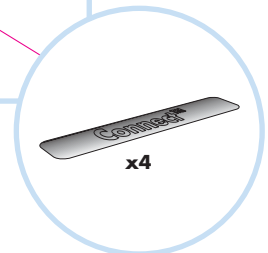
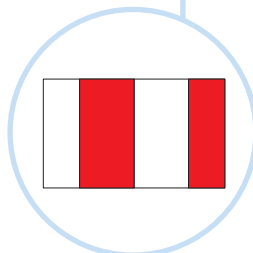
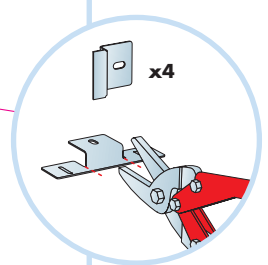
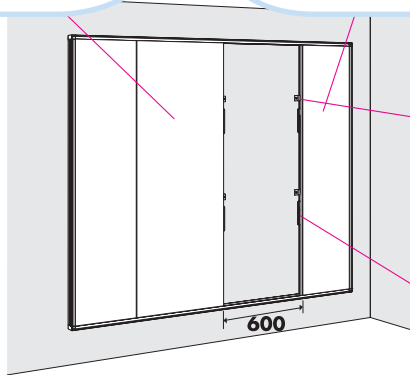


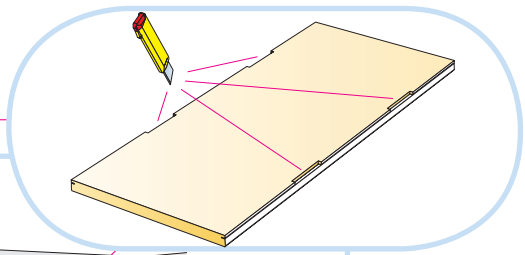
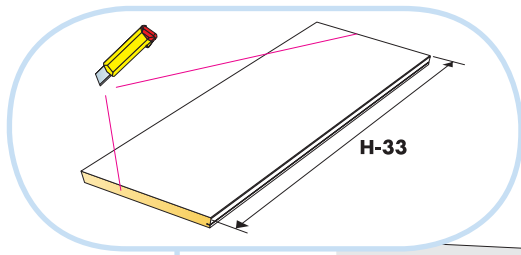


5

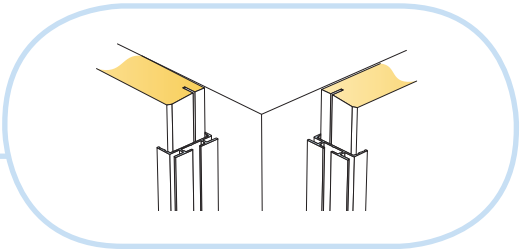
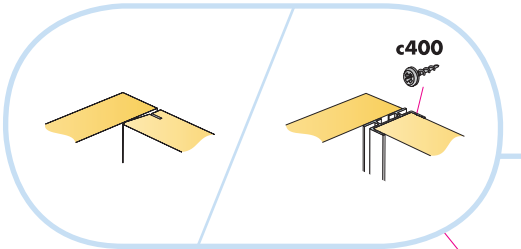
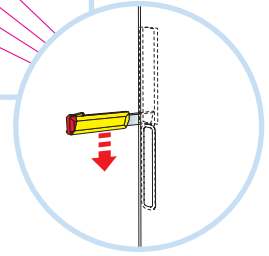
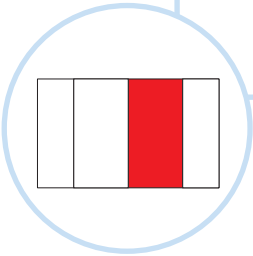
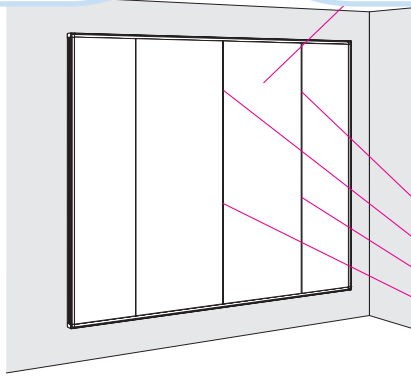


6

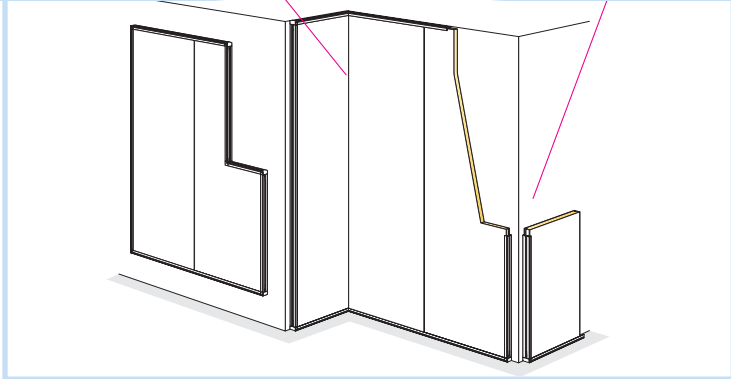


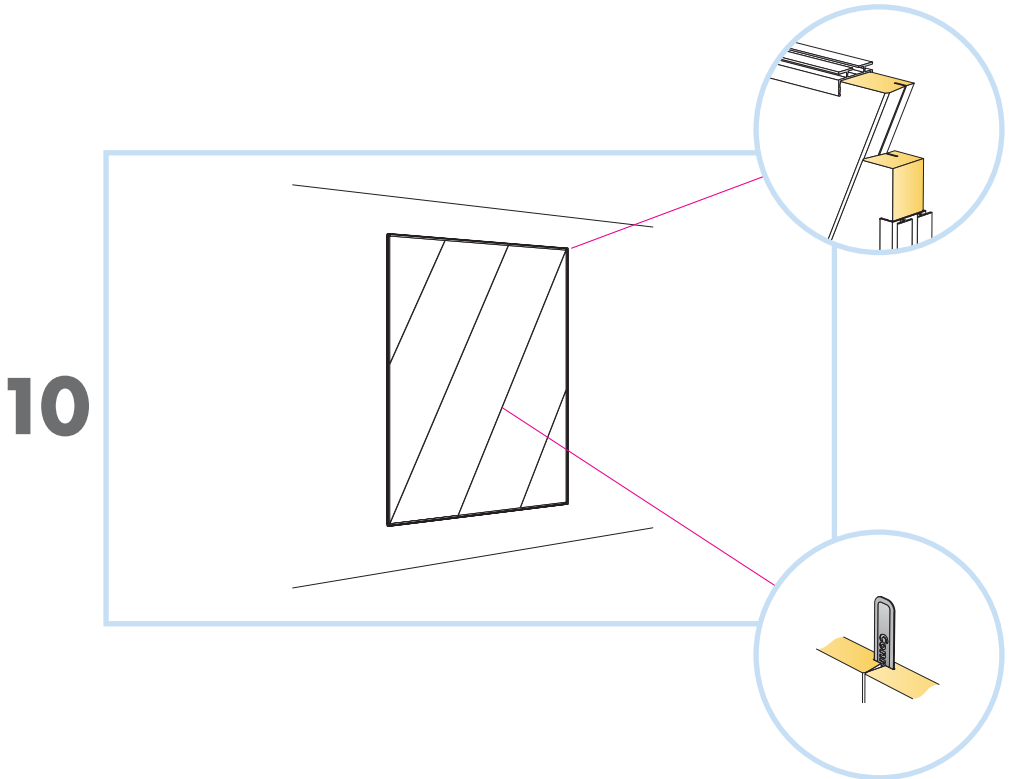
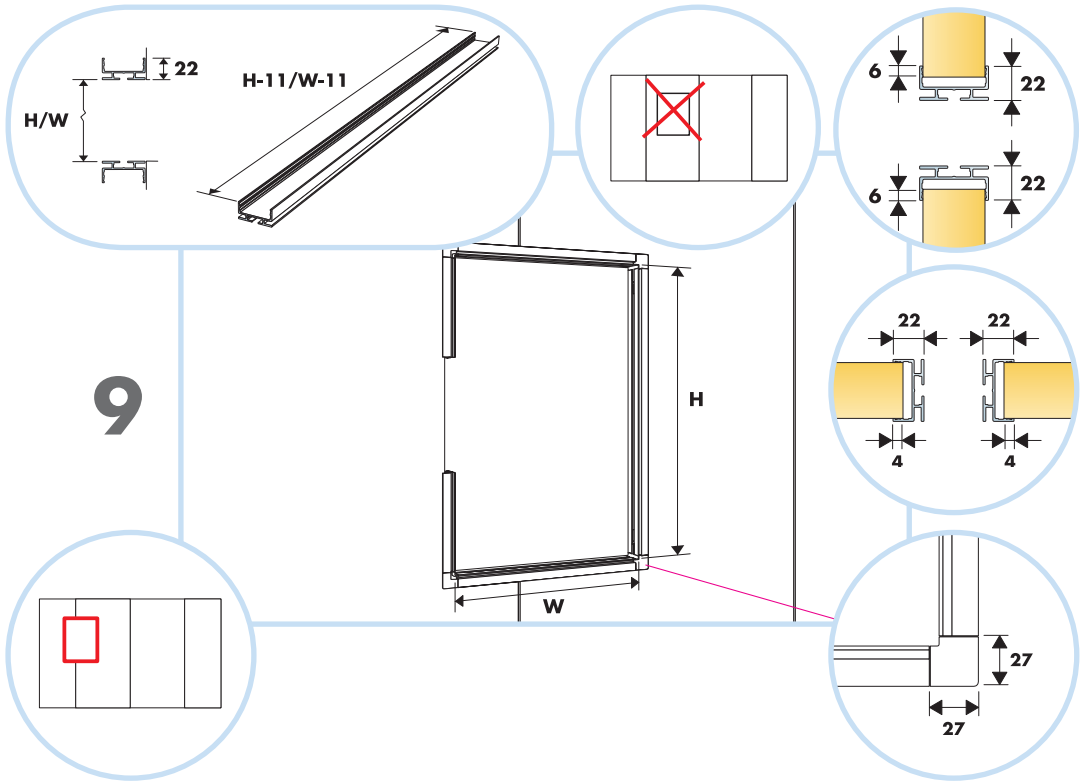


7



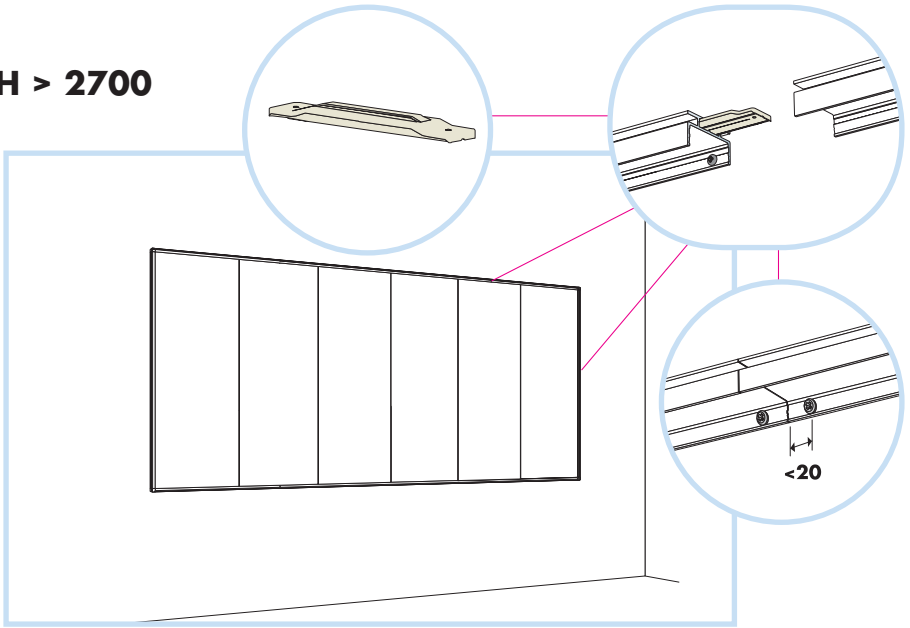
8





W/H > 2700

11



12

